

**Lubricated
(Lab Model)**



Oilless Version

Model 0211 Series

Lubricated:

20 inHg max. vacuum
20 psi max. pressure
1.3 CFM open flow

Oilless:

20 inHg max. vacuum
15 psi max. pressure
1.1 CFM open flow

0211 Lab Model

Lubricated:

Specially accessorized for
laboratory use
20 inHg max. vacuum
20 psi max. pressure
1.3 CFM open flow

Product Features

- Lubricated or oilless operation
- Motor mounted
- Rugged construction/low maintenance
- Essentially pulse-free service
- Built-in pressure relief valve on standard units (Non-Lab Models)

Includes

Lubricated Standard Models:

- Muffler V425B
- Filter/oiler AA680K

Oilless Standard Models:

- Muffler/filter AA617G (2)

Lab Models (Lubricated):

- Gauges – Vacuum AA640, Pressure AA644B
- Hose barbs AA254C
- Regulators AA986B
- Carrying handle AC174
- Cord with on/off switch AA896
- Foot support assembly AC136
- Oiler/filter AA680J
- Muffler AB580B

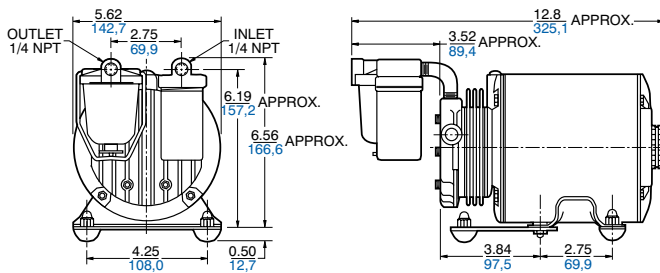
Recommended Accessories

- Vacuum relief valve AA840A
- Vacuum gauge AA640 (Standard models)
- Pressure gauge AA644B (Standard models)
- Oil AD220
- Repair kit K216 (Lubricated vacuum models)
- Repair kit K217 (Lubricated pressure plus lab models)
- Repair kit K218 (Oilless, pressure or vacuum)

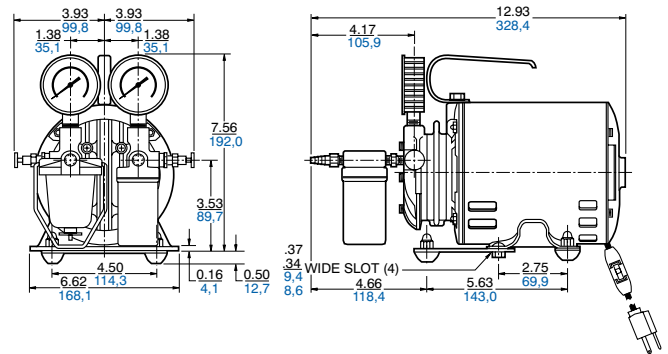
Product Dimensions (inches, mm)

Dimensions are for reference only

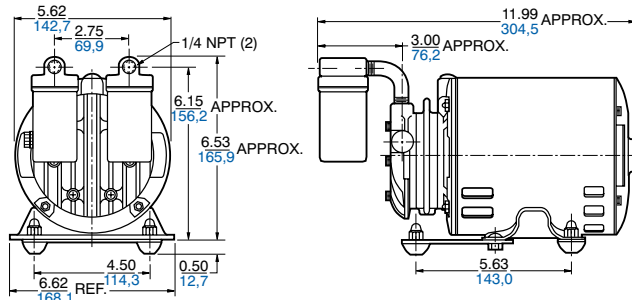
Lubricated Version



Lab Model (Lubricated)



Oilless Version



Product Specifications

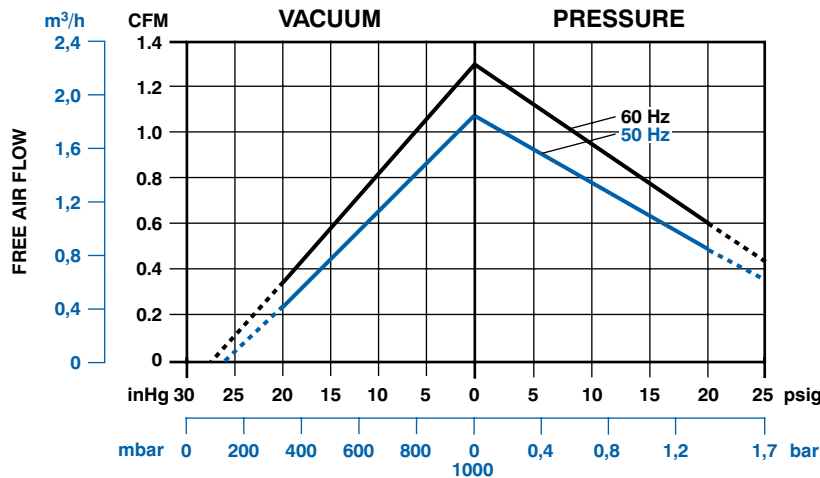
Note: V/P= can be used as vacuum pump or compressor, P= pressure model, V= vacuum model.

Model Number	Motor	RPM		HP	kW	Net Weight	
		60 Hz	50 Hz			lbs	kg
LUBRICATED							
0211-P3B-G8CX (P)	115-60-1	1725	—	1/6	0,12	19	8,6
0211-V36A-G8CX (V)	115-60-1	1725	—	1/6	0,12	19	8,6
0211-V36A-G230CX (V)	220-50-1	—	1425	1/6	0,12	19	8,6
0211-V45F-G8CX (V)	115-60-1	1725	—	1/6	0,12	19	8,6
0211-V45F-G230CX (V/P)*	220-50-1	—	1425	1/6	0,12	19	8,6
OILLESS							
0211-103A-G8CX (V/P)	115-60-1	1725	—	1/6	0,12	17	7,7
0211-103A-G230CX (V/P)	220-50-1	—	1425	1/6	0,12	17	7,7

*Lab Model

Product Performance

Lubricated Models



Oilless Models

