



Model 0533-103A

20 inHg max. vacuum
0.6 CFM open flow
15 psi max. pressure

Model 1033-102A

20 inHg max. vacuum
1.1 CFM open flow
10 psi max. pressure

Product Features

- Oilless operation
- Rugged construction/low maintenance
- Essentially pulse-free service

Includes

- Muffler AA922G
- Filter AA922H

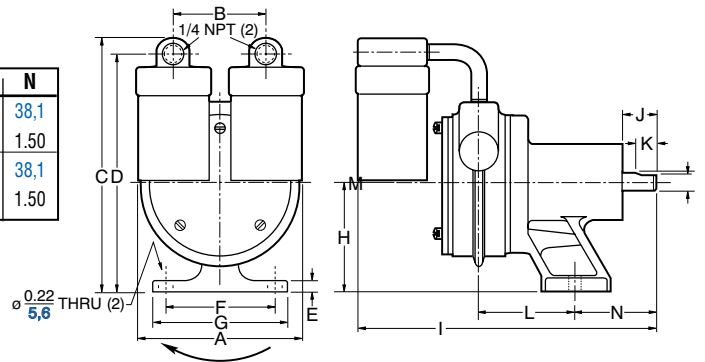
Recommended Accessories

- Vacuum relief valve AA204
- Vacuum gauge AA641
- Pressure relieve valve AA203
- Pressure gauge AA644B
- Coupling (.31" x .31") AE540E
- Repair kit K259 (0533), K219 (1033)

Product Dimensions (inches, mm)

Dimensions are for reference only

Model	A	B	C	D	E	F	G	H	I	J	K	L	M	N
0533	82,6	44,5	111,0	103,1	6,4	43,0	57,2	50,8	139,7	15,7	9,7	38,1	7,9	38,1
0533	3.25	1.75	4.37	4.06	.25	1.69	2.25	2.00	5.50	.62	.38	1.50	.31	1.50
1033	82,6	44,5	115,8	108,0	6,4	43,0	57,2	50,8	144,5	15,7	9,7	42,9	7,9	38,1
1033	3.25	1.75	4.56	4.25	.25	1.69	2.25	2.00	5.69	.62	.38	1.69	.31	1.50



Product Specifications

Model Number	RPM		HP	kW	Net Weight	
	60 cycle	50 cycle			lbs	kg
0533-103A	3450	2850	1/15	0,05	3	1,4
1033-102A	3450	2850	1/15	0,05	3	1,4

Product Performance

