

### MODEL 2067 SERIES

#### LUBRICATED:

28 inHg max. vacuum  
17 CFM open flow  
15 psi max. pressure

#### OILLESS:

27 inHg max. vacuum  
17 CFM open flow  
15 psi max. pressure

### MODEL 2567 SERIES

#### LUBRICATED:

28 inHg max. vacuum  
21 CFM open flow  
15 psi max. pressure

#### OILLESS:

27 inHg max. vacuum  
21 CFM open flow  
15 psi max. pressure

### Product Features

- Close coupled/easy motor mounting
- Rugged construction/low maintenance
- Essentially pulse-free service

### INCLUDES

- Fan guards AC102C, AH194A
- Fan/coupling assembly AH198
- Filter AA900D (Vacuum pump) – Lubricated
- Filter AC435 (Compressor) – Lubricated
- Muffler AA900E (Vacuum pump) – Lubricated
- Filter AA905G (Compressor) – Oilless
- Muffler AA900F (Vacuum pump) – Oilless
- Oil reservoir AA960-1
- Vac lubricator V40C
- Pressure lubricator AA95A
- Pressure gauge AA644B (U.S.) – Lubricated

### Recommended Accessories

- Vacuum relief valve AA308 (U.S. Models)
- Vacuum gauge AA640 (U.S. Models)
- Pressure relief valve AA307 (U.S. Models)
- Pressure gauge AA644B – Oilless
- Oil AD220
- Repair kit K349 – Lubricated
- Repair kit K350 – Oilless

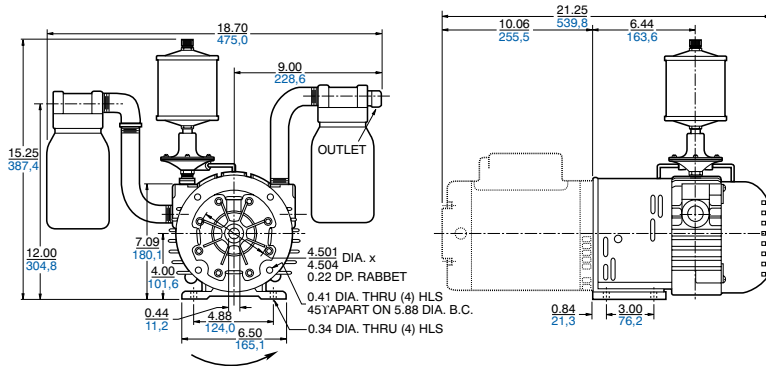
### Product Dimensions (inches, mm)

Dimensions are for reference only

#### Lubricated Versions

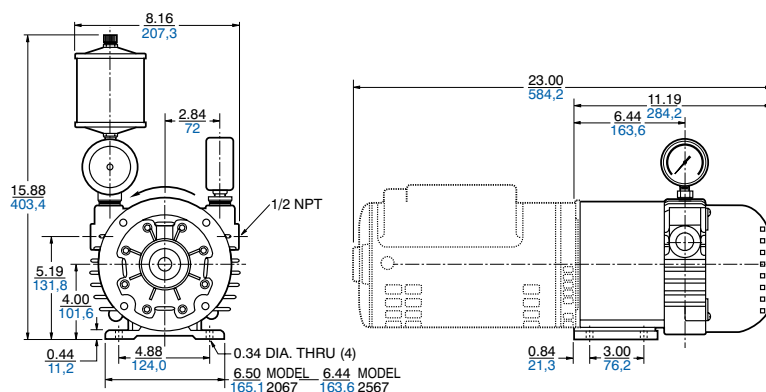
Vacuum Pump (U.S. Models)

Nema 56 Frame, C Face, Inlet  $\frac{3}{4}$  In. Npt



Compressor (U.S. Models)

Nema 56 Frame, C Face, Inlet  $\frac{3}{4}$  In. Npt

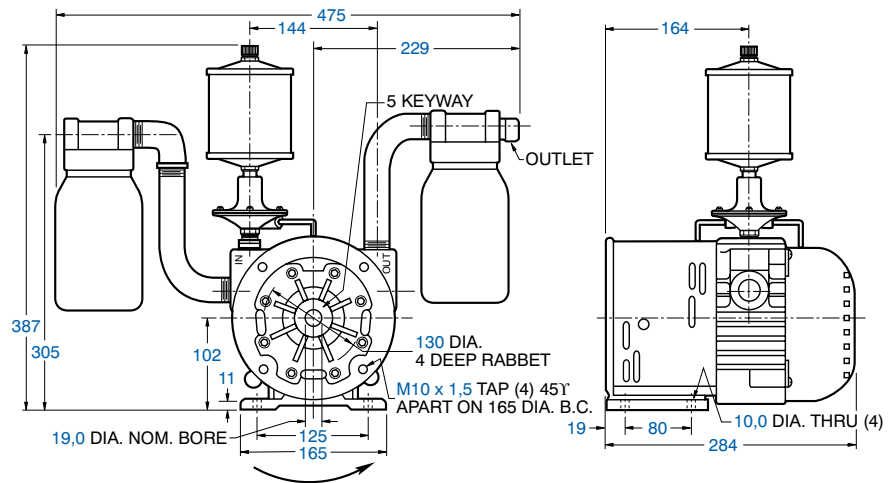


### Product Dimensions (inches, mm)

Dimensions are for reference only

Vacuum Pump (Metric Model)

Inlet 3/4 In. Bsp Metric D90s Mounting



### Product Specifications

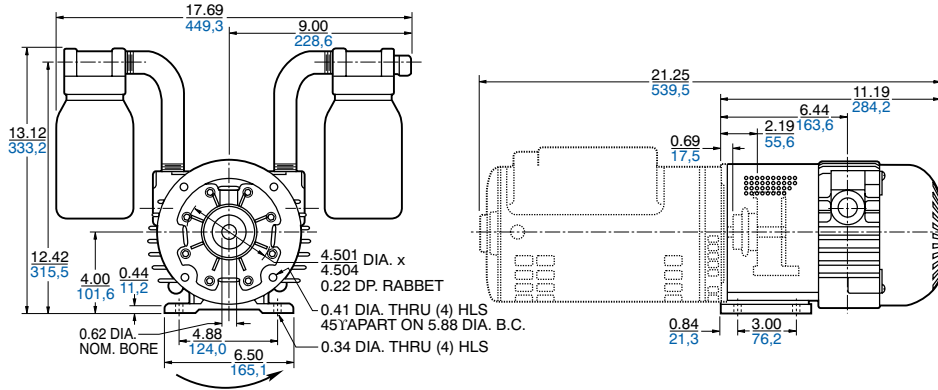
Note: "P" models are pressure, "V" models are vacuum.

Model Number	Motor	RPM		HP	kW	Net Weight	
		60 Hz	50 Hz			lbs	kg
<b>LUBRICATED</b>							
2067-P2	Not included	1725	1425	1½	1,1	46	20,7
2067-V1	Not included	1725	1425	1½	1,1	55	24,8
2567-P2	Not included	1725	1425	2	1,5	48	21,6
2567-V1	Not included	1725	1425	1½	1,1	51	23,0
2567-V5-G471 (like 2567-V1 plus motor)	230/460-60-3	1725	—	1½	1,1	93	41,9
<b>OILLESS</b>							
2067-P102	Not included	1725	1425	1½	1,1	47	21,2
2067-V103	Not included	1725	1425	1½	1,1	55	24,8
2067-V107-G561X (like 2067-V103 plus motor)	110/220-240; 115/208-230;50/60-1	1725	1425	1	0,75	84	37,8
2567-P102	Not included	1725	1425	2	1,5	46	20,7
2567-V103	Not included	1725	1425	1½	1,1	49	22,1
2567-V105 (metric)	Not included	1725	1425	1½	1,1	49	22,1
2567-V107-G471 (like 2567-V103 plus motor)	230/460-60-3	1725	—	1½	1,1	91	41,0
2567-V105-CC110-1*	220/240-380/415-50-3	—	1410	1½	1,1	93	41,9

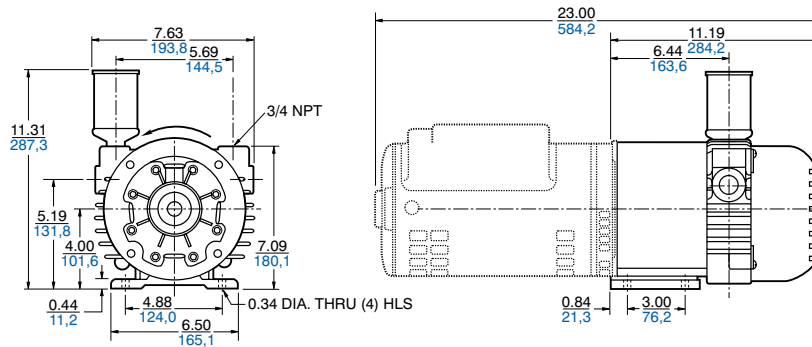
\*Available only in Europe

### Oilless Versions

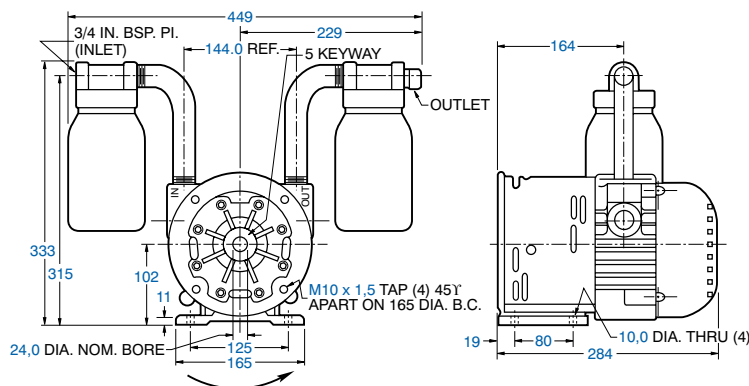
Vacuum Pump (U.S. Models)  
Nema 56 Frame, C Face, Inlet 3/4 In. Npt



Compressor (U.S. Models)  
Nema 56, C Face



Vacuum Pump (Metric Models)  
Inlet 3/4 In. Bsp



### Product Specifications

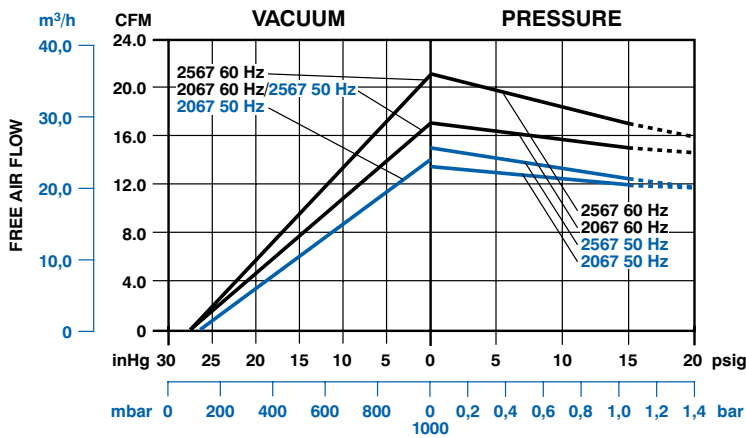
Note: "P" models are pressure, "V" models are vacuum.

Model Number	Motor	RPM		HP	kW	Net Weight	
		60 Hz	50 Hz			lbs	kg
<b>LUBRICATED</b>							
2067-P2	Not included	1725	1425	1½	1,1	46	20,7
2067-V1	Not included	1725	1425	1½	1,1	55	24,8
2567-P2	Not included	1725	1425	2	1,5	48	21,6
2567-V1	Not included	1725	1425	1½	1,1	51	23,0
2567-V5-G471 (like 2567-V1 plus motor)	230/460-60-3	1725	—	1½	1,1	93	41,9
<b>OILLESS</b>							
2067-P102	Not included	1725	1425	1½	1,1	47	21,2
2067-V103	Not included	1725	1425	1½	1,1	55	24,8
2067-V107-G561X (like 2067-V103 plus motor)	110/220-240; 115/208-230;50/60-1	1725	1425	1	0,75	84	37,8
2567-P102	Not included	1725	1425	2	1,5	46	20,7
2567-V103	Not included	1725	1425	1½	1,1	49	22,1
2567-V105 (metric)	Not included	1725	1425	1½	1,1	49	22,1
2567-V107-G471 (like 2567-V103 plus motor)	230/460-60-3	1725	—	1½	1,1	91	41,0
2567-V105-CC110-1*	220/240-380/415-50-3	—	1410	1½	1,1	93	41,9

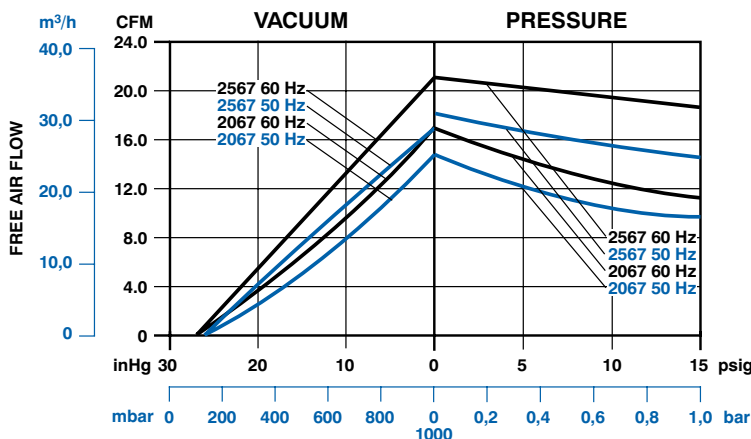
\* Available only in Europe.

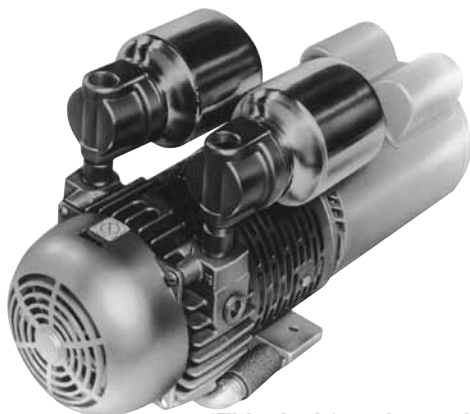
### Product Performance

#### Lubricated



#### Oilless





\*This dual function series comes with motor attached.

### Model 2567 Series Dual Function

Ideal for graphic arts applications where simultaneous vacuum and pressure are needed.  
Max. vacuum (with 5 psi back pressure)  
20 inHg  
Open flow (vacuum side)  
15 CFM

### Product Features

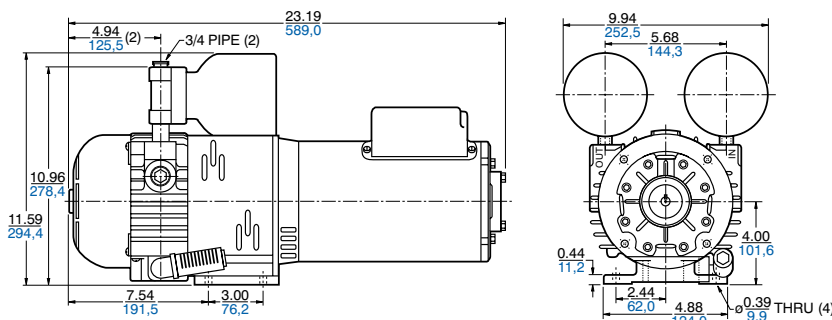
- Oilless operation
- Dual pump performance with (1) pump/ motor
- “Universal” motor included
- Rugged construction/low maintenance

### Recommended Accessories

- Vacuum gauge AA640
- Pressure gauge AA644B
- Repair kit K350

### Product Dimensions (inches, mm)

Dimensions are for reference only



### Product Specifications

Model Number	Motor	RPM		HP (60 Hz)	kW (60 Hz)	Net Weight	
		60 Hz	50 Hz			lbs	kg
2567-D122-G561X	115/208-230-60-1	1725	1425	1	0,75	90	40,5
	110/200-240-50-1						
2567-D122-G471	208-230/460-60-3	1725	1425	1½	1,1	90	40,5
	220/380-415-50-3						

### Product Performance

