

Vacuum Pump



Compressor



Model 6066 Series

25 inHg max. vacuum
55 CFM open flow
15 psi max. pressure

Product Features

- Oilless operation
- Rugged construction/low maintenance
- Essentially pulse-free service

Includes

- Filter AD560
- Muffler AD560B
- Coupling AE544B-1 (.88" x 1.13") – Vacuum pump
- Coupling AE765 (.88" x 1.13") – Compressor
- Check valve AH326B

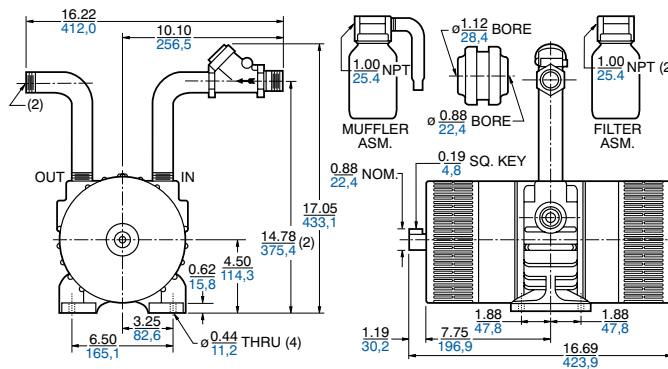
Recommended Accessories

- Vacuum relief valve AE961
- Pressure relief valve AA307
- Vacuum gauge AA640
- Pressure gauge AA644B
- Coupling guard AH380B-1
- Base AB322E
- Repair kit K503

Product Dimensions (inches, mm)

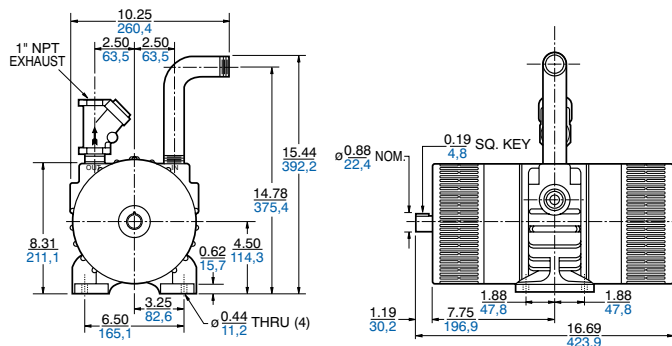
Dimensions are for reference only

Vacuum Pump



DRAWING SHOWN WITHOUT STANDARD MUFFLER AND FILTER, WHICH SHIP UNATTACHED.

Compressor



DRAWING SHOWN WITHOUT STANDARD MUFFLER AND FILTER, WHICH SHIP UNATTACHED.

Product Specifications Note: "P" models are pressure, "V" models are vacuum.

| Model Number | Motor | Base | Coupling Guard | RPM | | HP | kW | Net Weight | |
|--------------------|--------------|------|----------------|-------|-------|----|------|------------|------|
| | | | | 60 Hz | 50 Hz | | | lbs | kg |
| 6066-P102 | — | | | 1725 | — | 5 | 3,73 | 88 | 39,6 |
| 6066-P106A-T339 | 230/460-60-3 | • | • | 1725 | — | 5 | 3,73 | 203 | 91,4 |
| 6066-P108-SD400-1* | 415-50-3 | • | • | — | 1425 | 5 | 3,73 | 203 | 91,4 |
| 6066-V103 | — | | | 1725 | — | 5 | 3,73 | 92 | 41,4 |
| 6066-V105A | — | • | • | 1725 | — | 5 | 3,73 | 114 | 51,3 |
| 6066-V107A-T339 | 230/460-60-3 | • | • | 1725 | — | 5 | 3,73 | 183 | 82,4 |
| 6066-V109-BC630-1* | 415-50-3 | • | • | — | 1425 | 3 | 2,2 | 172 | 77,4 |

*Available only in Europe.

Product Performance

