

Model 0823



Model 0823

10 psi max. continuous pressure
8 CFM open flow

Models 2080/3080

15 psi max. pressure
25-35 CFM open flow

Models 2067/2567

20 psi max. pressure
17-21 CFM open flow

Models 6066

20 psi max. pressure
37-55 CFM open flow

Models 1290

20 psi max. pressure
112 CFM open flow

Recommended Accessories

- Pressure gauge AA644B
- Relief valves:
AA600 (0823)
AN225 (2080, 3080)
AA307 (2067, 2567, 6066, 1290)
- Repair kits:
K479A (0823)
K546 (2080, 3080)
K585 (filter/muffler kit for 2080)
K584 (filter/muffler kit for 3080)
K357 (2067, 2567)
K503 (6066, 1290 – use 2)

Model 2067/2567



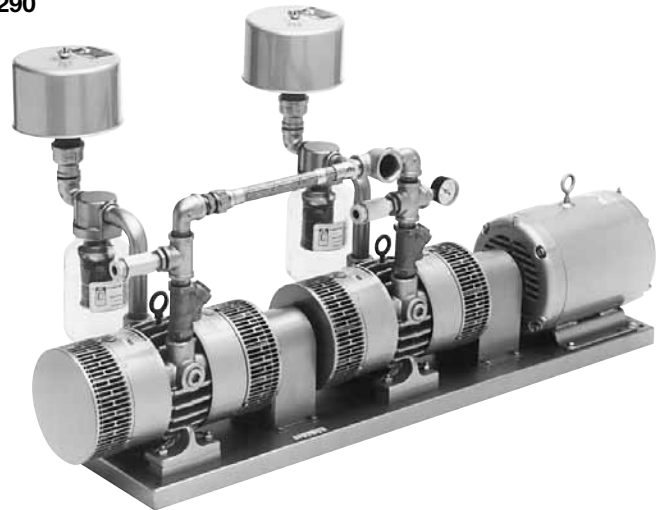
Product Features

- Oilless operation
- Rugged construction/low maintenance
- Heavy-duty filters

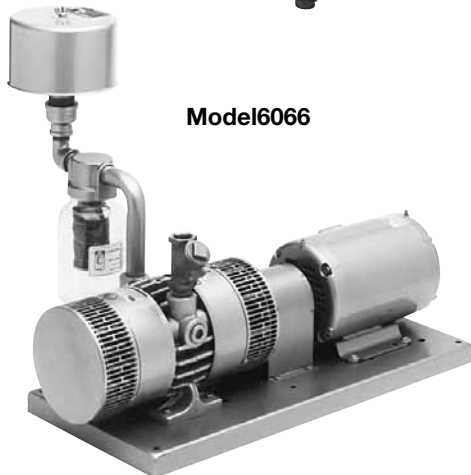
Model 2080/3080



Model 1290



Model 6066

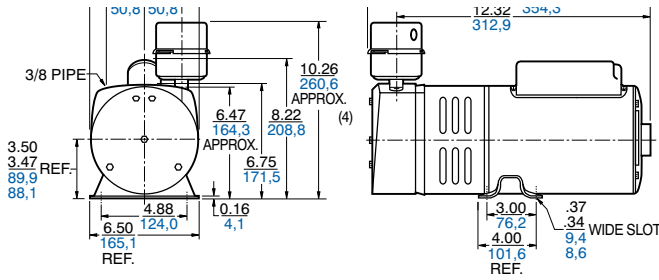


Units are supplied with special, high capacity filtration plus motors that allow up to 30% more pressure than the standard model counterpart.

Product Dimensions (inches, mm)

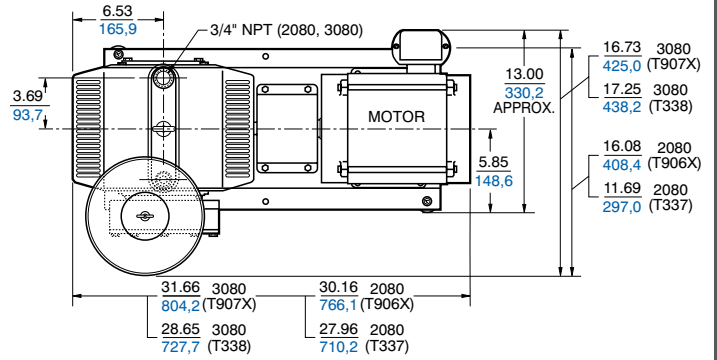
Dimensions are for reference only

Model 0823

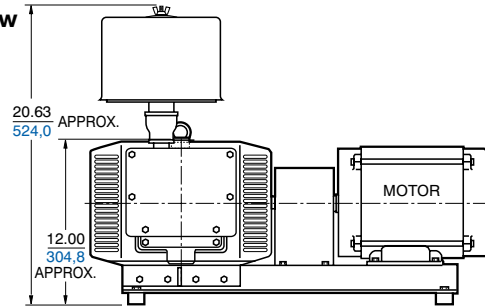


Models 2080/3080

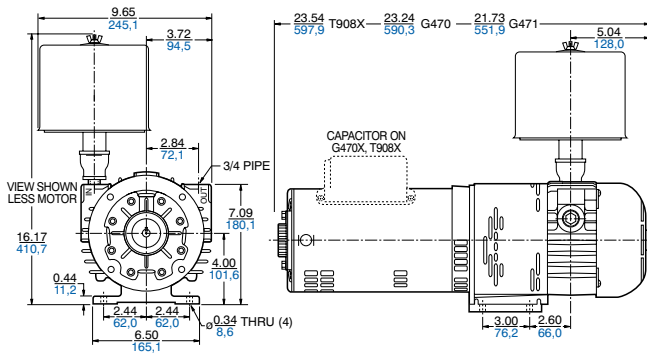
Top View



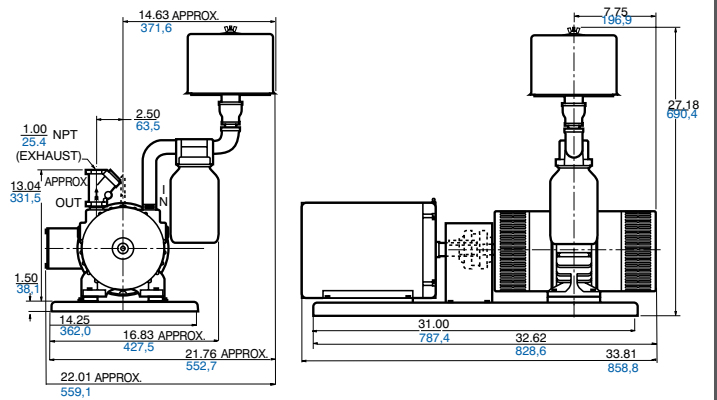
Side View



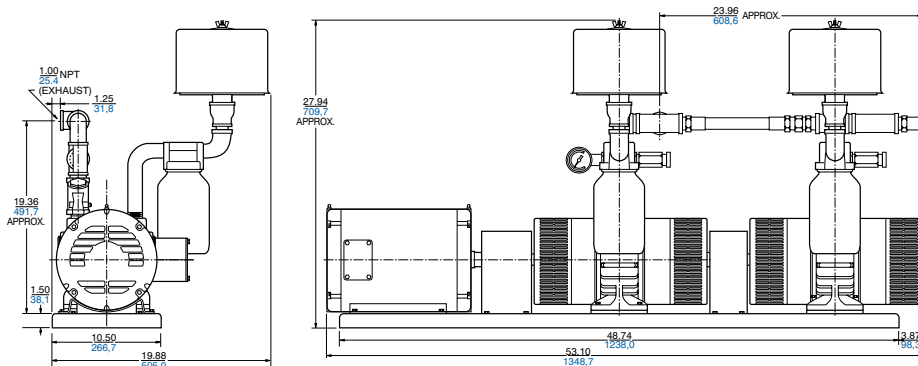
Models 2067/2567



Models 6066



Models 1290



Product Specifications

Note: All models are compressors.

Model Number	Motor	RPM		HP	kW	Net Weight	
		60 cycle	50 cycle			lbs	kg
0823-P155-SG608X*	100-110/220-240-50-1 110-115/208-230-60-1	1725	1425	3/4	0,56	50	22,5
2080-P124-T337†	230/460-60-3	1725	—	2	1,5	135	60,8
3080-P124-T338†	208-230/460-60-3	1725	—	3	2,2	160	72,0
2067-P118-G470X†	115/230-60-1	1725	—	1 1/2	1,1	84	37,8
2067-P118-G471*†	220/380-415-50-3 208-230/460-60-3	1725	1425	1 1 1/2	0,75 1,1	84	37,8
2567-P132-T908X†	115/230-60-1	1725	—	2	1,5	85	38,3
6066-P122A	For 213T or 215T frame motor	1725	—	7 1/2	5,6	88	39,6
6066-P122-T339***†	208-230/460-60-3	1725	—	5	3,7	205	92,3
1290-P110	For 215T frame motor	1725	—	10	7,5	220	99,7
1290-P110A	For 254T frame motor	1725	—	15	11,1	230	104,0

*For 50 Hz performance, reduce air flow on grid by approximately 17%.

***These models are capable of 15 psi max. performance, reference performance grid below.

†Also available as separate drive, less the motor. To order as a separate drive version, specify the first two sets of digits only of this model number. Consult factory or distributor for the correct Nema frame size motor to use. Customer supplied motor must have minimum service factor of 1.15.

Product Performance

